

PLEASE CHECK WWW.MOLEX.COM FOR LATEST PART INFORMATION

Part Number: [0192160010](#)
Status: **Active**
Description: Ultimate Wire Tap, Blue, 14-18 AWG

Documents:

[Drawing \(PDF\)](#) [RoHS Certificate of Compliance \(PDF\)](#)

Agency Certification

CSA LR18689
 UL E79133

General

Product Family IDT and Solder Connectors
 Series [19216](#)
 Crimp Quality Equipment Yes
 MolexKits Yes
 Product Name Wire Tap

Physical

Circuits (Loaded) 1
 Color - Resin Natural
 Durability (mating cycles max) 25
 Flammability 94V-2
 Gender N/A
 Glow-Wire Compliant No
 Lock to Mating Part None
 Material - Metal Phosphor Bronze
 Material - Resin Nylon
 Number of Rows 0
 Packaging Type Bag
 Panel Mount No
 Pitch - Mating Interface (in) 0.000 In
 Pitch - Mating Interface (mm) 0.00 mm
 Pitch - Term. Interface (in) 0.000 In
 Pitch - Term. Interface (mm) 0.00 mm
 Polarized to Mating Part Yes
 Stackable No
 Temperature Range - Operating 105°C
 Wire Insulation Diameter N/A
 Wire Size AWG 14, 16, 18

Electrical

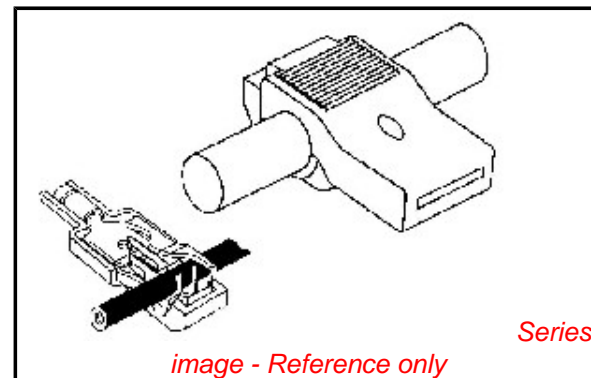
Voltage - Maximum 600V

Material Info

Old Part Number WT-1814

Reference - Drawing Numbers

Sales Drawing SD-19216-001



EU RoHS

ELV and RoHS Compliant

REACH SVHC

Not Reviewed

Halogen-Free

Status

Not Reviewed

Need more information on product environmental compliance?

Email productcompliance@molex.com
 For a multiple part number RoHS Certificate of Compliance, [click here](#)

Please visit the [Contact Us](#) section for any non-product compliance questions.

China RoHS



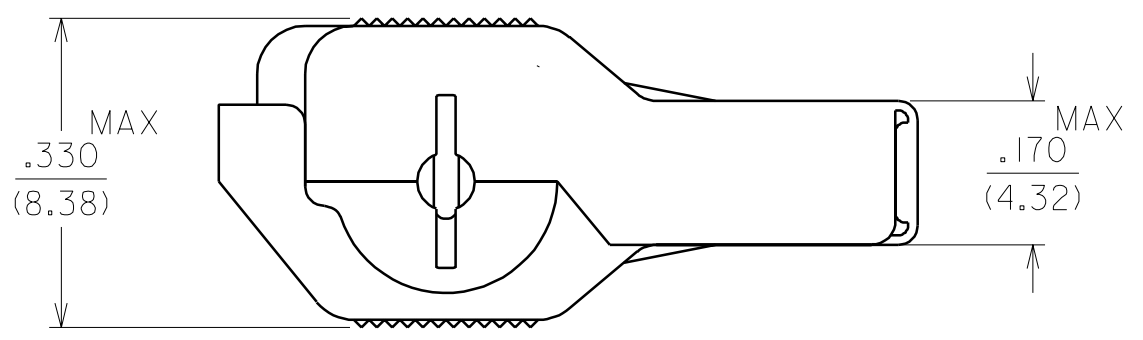
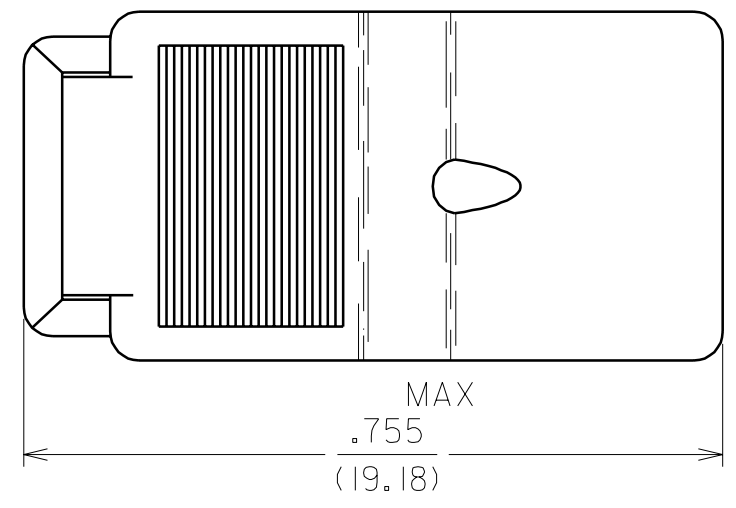
Search Parts in this Series

[19216Series](#)

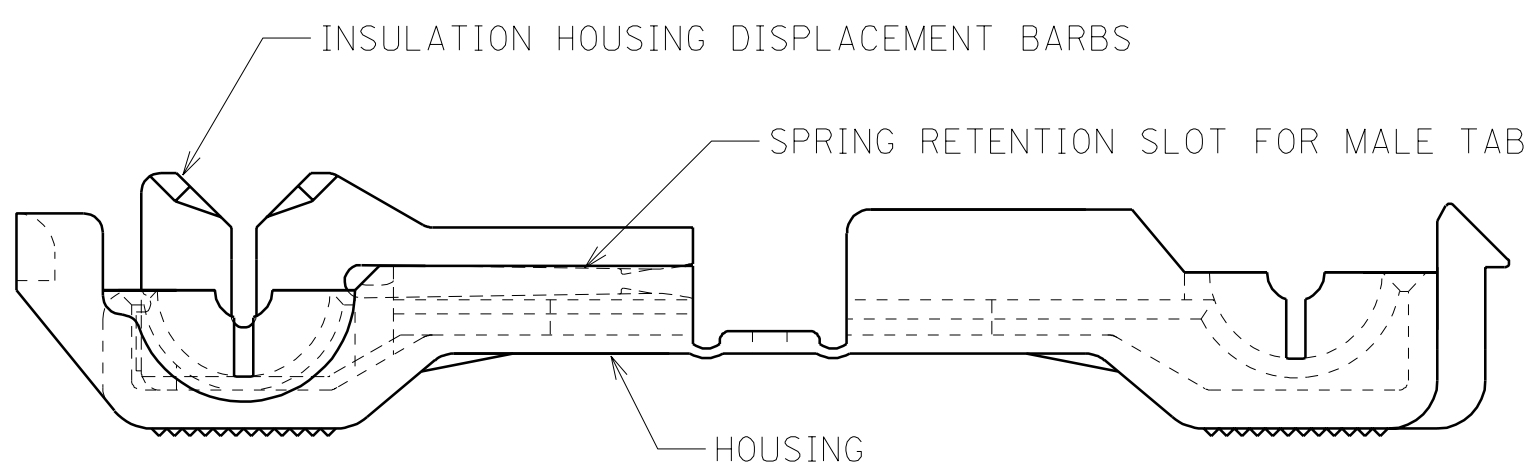
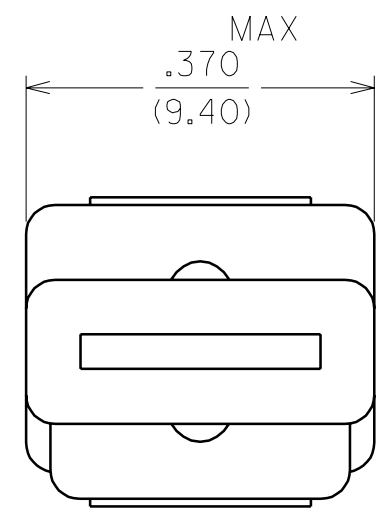
Mates With

Male Quick Disconnect

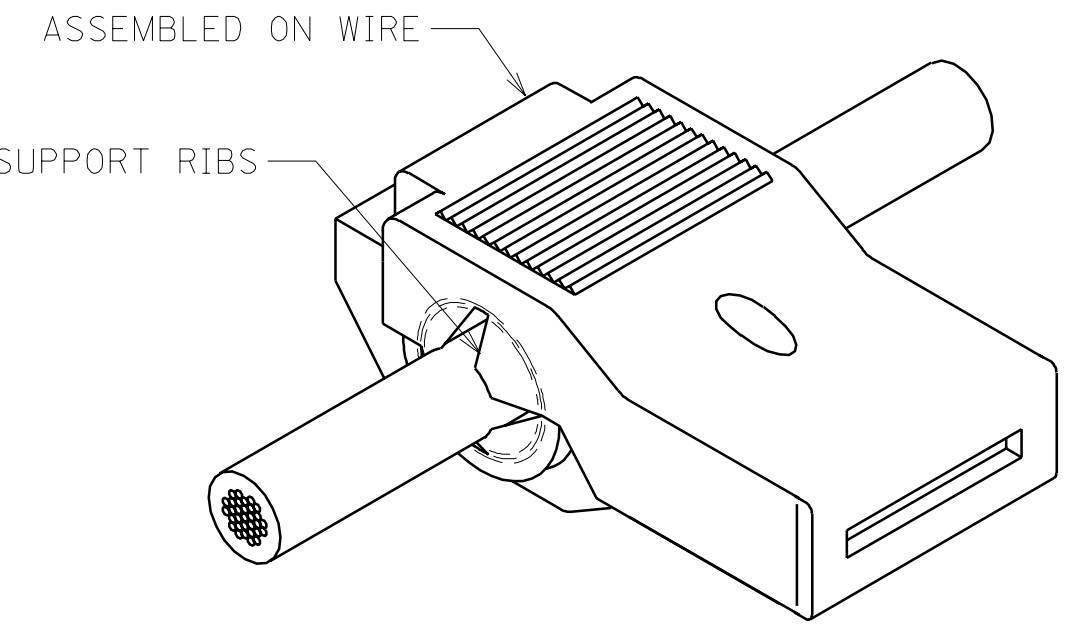
MATERIAL NO.	ALTERNATE NO.	WIRE RANGE AWG(mm2)	HOUSING COLOR
192160011	WT-2218	22-18(.34-.75)	RED
192160010	WT-1814	18-14(.75-2.5)	BLUE
192160009	WT-12	12(4.0)	YELLOW



CLOSED POSITION AFTER ASSEMBLY ON WIRE



OPEN POSITION PRIOR TO ASSEMBLY ON WIRE



- NOTES:
- MATERIALS
HOUSING: UNFILLED NYLON UL FLAMMABILITY
RATING 94V-2
COLOR: SEE TABLE
TERMINAL: COPPER ALLOY
 - FINISH
TERMINAL: TIN

B	VOIDS DWG. WT-CD ETC2000-0001 HEB 99/7/2
A	SEE ECN* 1137 09/08/94 RCM
LTR.	REVISIONS

CUSTOMER DRAWING

DIMENSIONS SHOWN (METRIC) INCH		REVISE ONLY ON CAD SYSTEM	
UNLESS OTHERWISE SPECIFIED TOLERANCES: ANGULAR ± 1/2°		TITLE WIRE TAP MULTIMATE	
	INCH	METRIC	
3 PLACE	± .005	± ---	
2 PLACE	± .01	± 0.13	
1 PLACE	± ---	± 0.25	
DRAFT WHERE APPLICABLE MUST REMAIN WITHIN DIMENSIONS			
DRWG. BY RCM	CHK'D. BY JM	SHEET NO. 1 OF 1	DATE 09/07/94
APP'D. BY FP	SCALE 5: 1	PART NO. SEE TABLE	DRWG. NO. SD-19216-001
FILE NAME 19216001 SD		THIS DRAWING CONTAINS INFORMATION THAT IS PROPRIETARY TO MOLEX-ETC INC. AND SHOULD NOT BE USED WITHOUT WRITTEN PERMISSION.	
		DIV. ETC	SIZE B